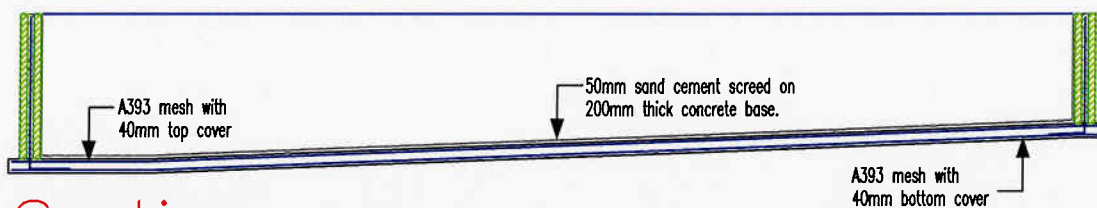
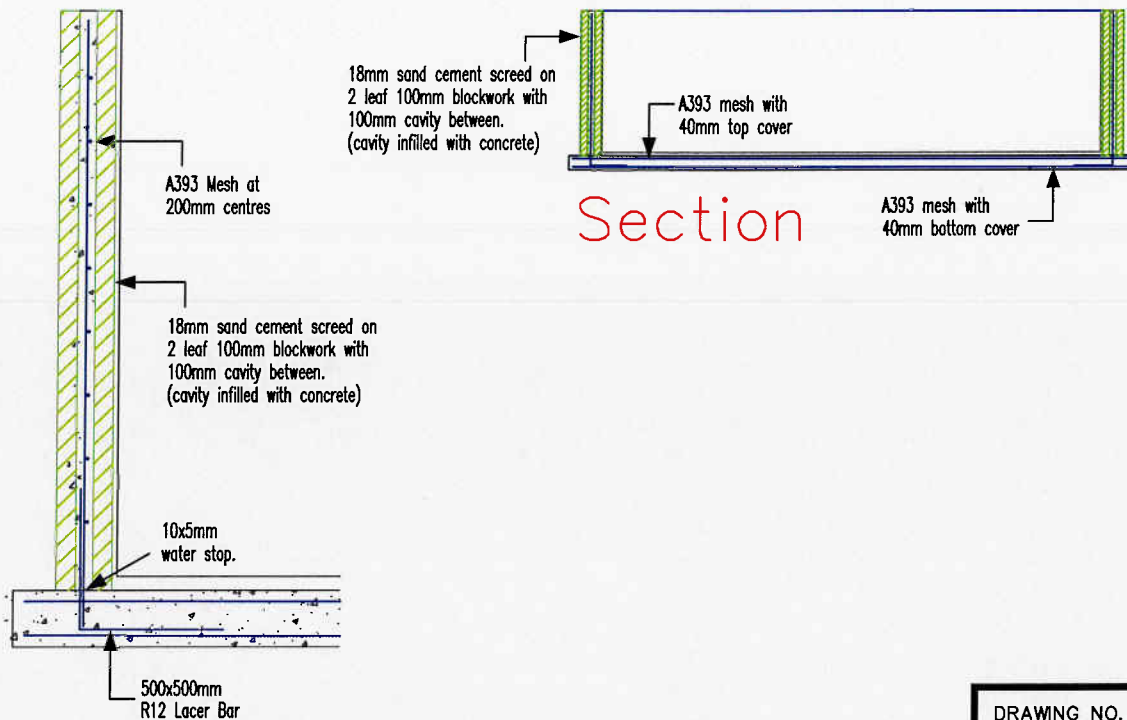


Pool Plan



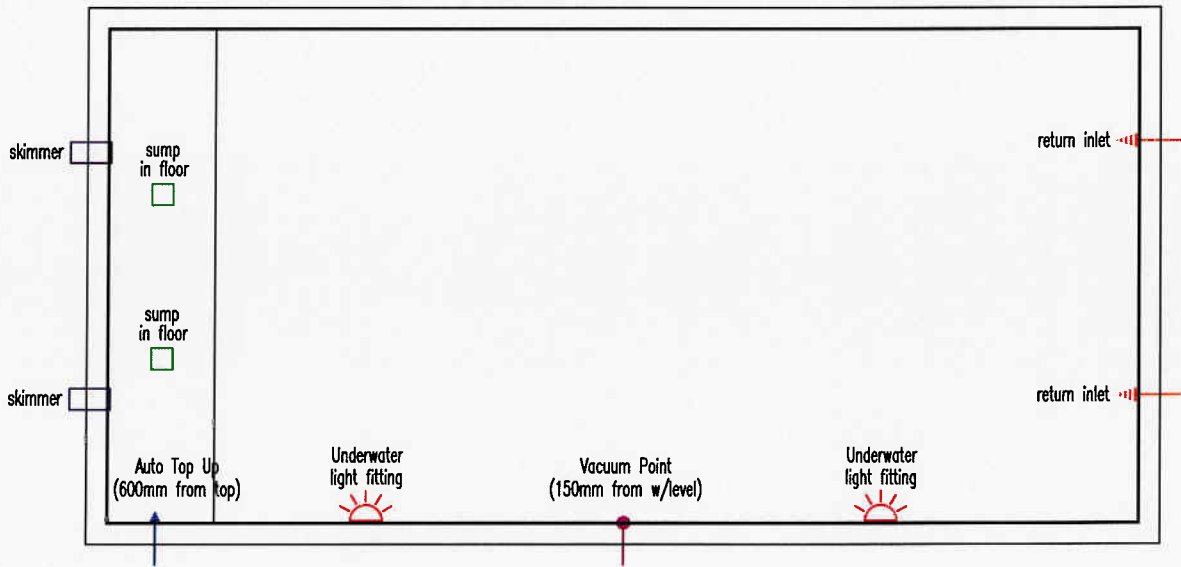
Section



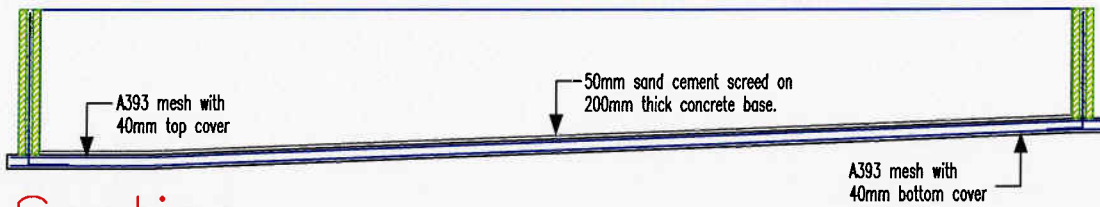
Section

Section 100 Block/100 Cavity/100 Block

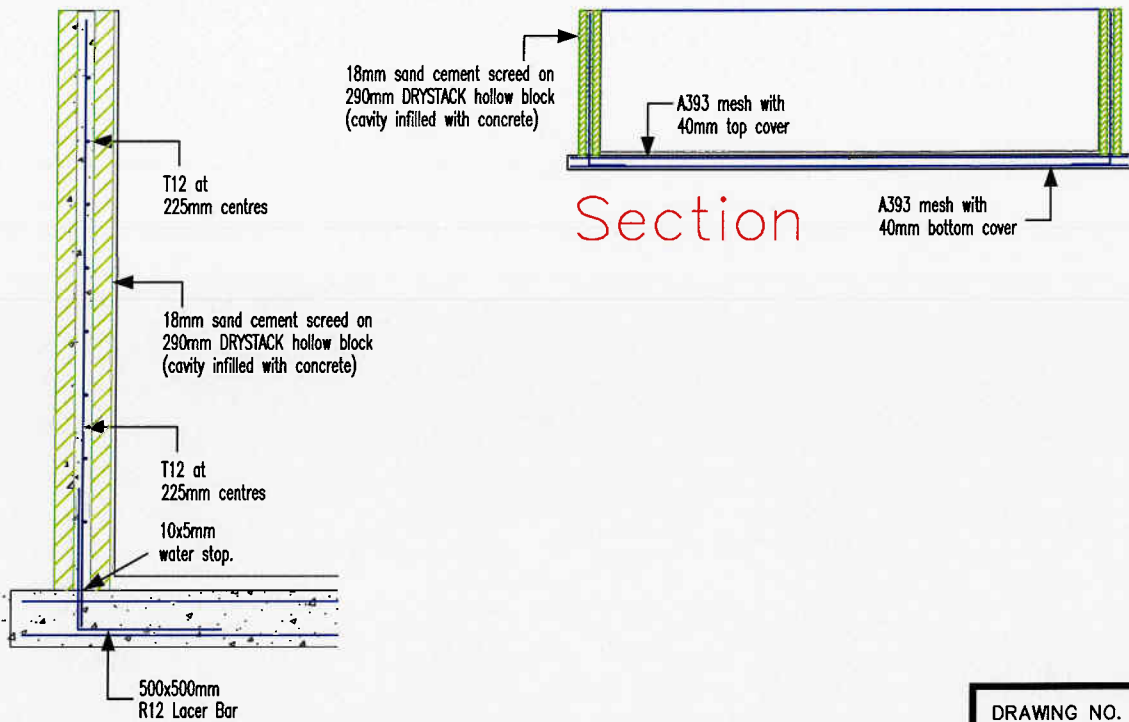
DRAWING NO.  
STD01



Pool Plan



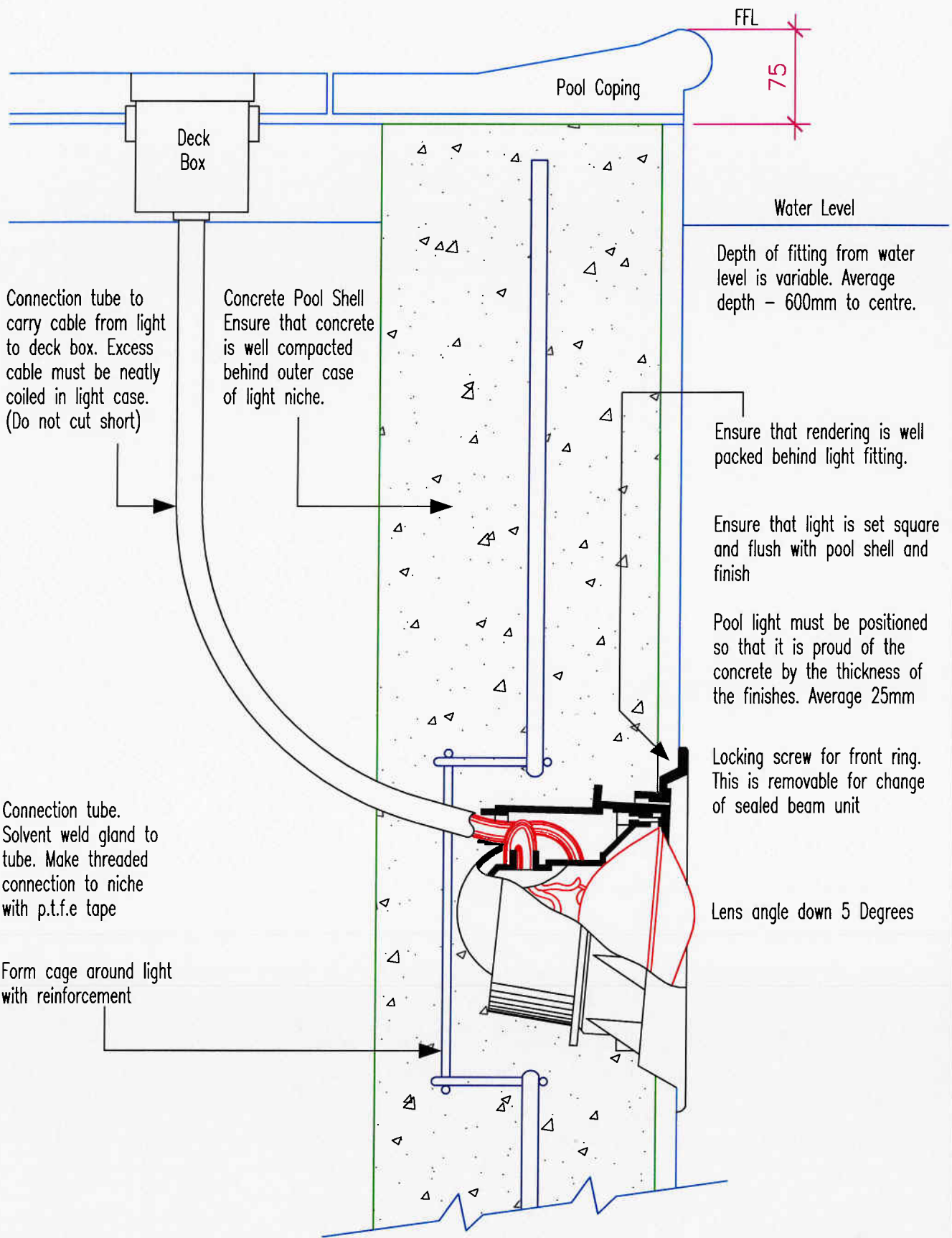
Section



Section 290mm Drystack Blocks

DRAWING NO.

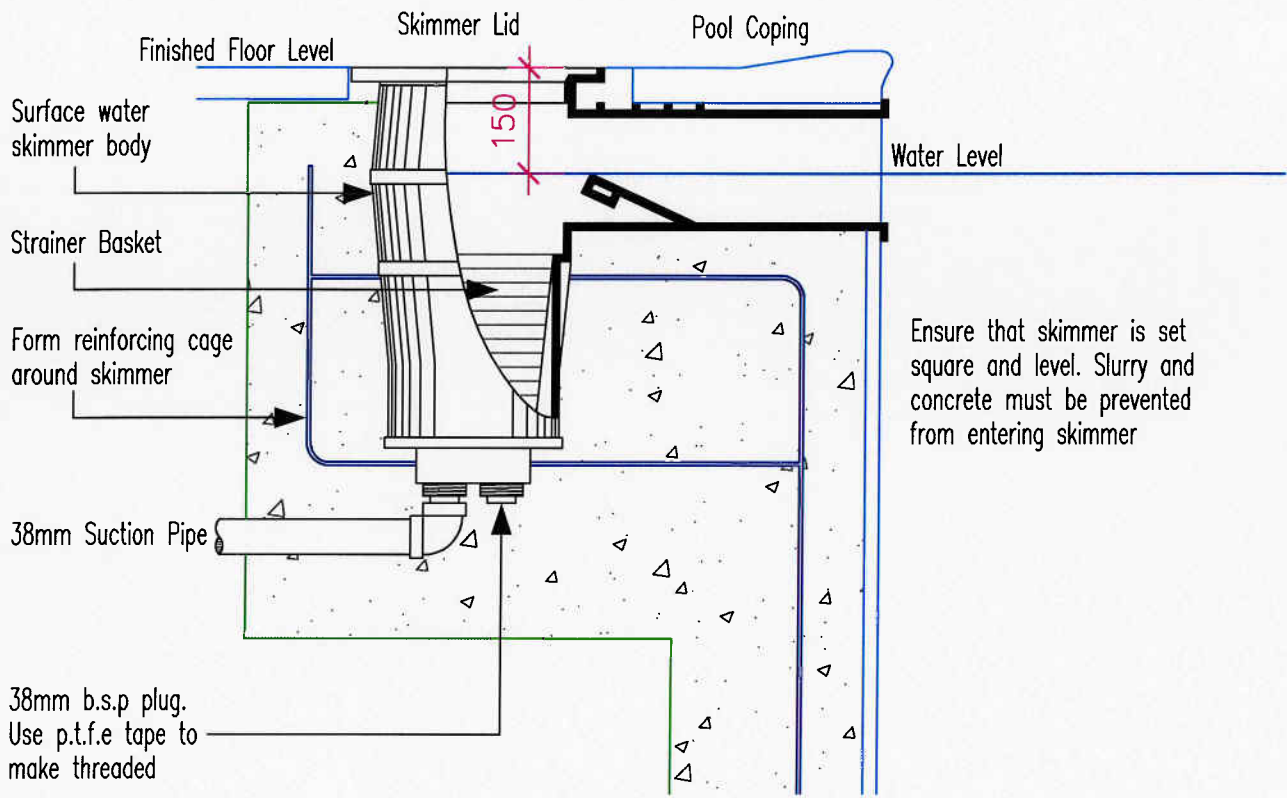
STD02



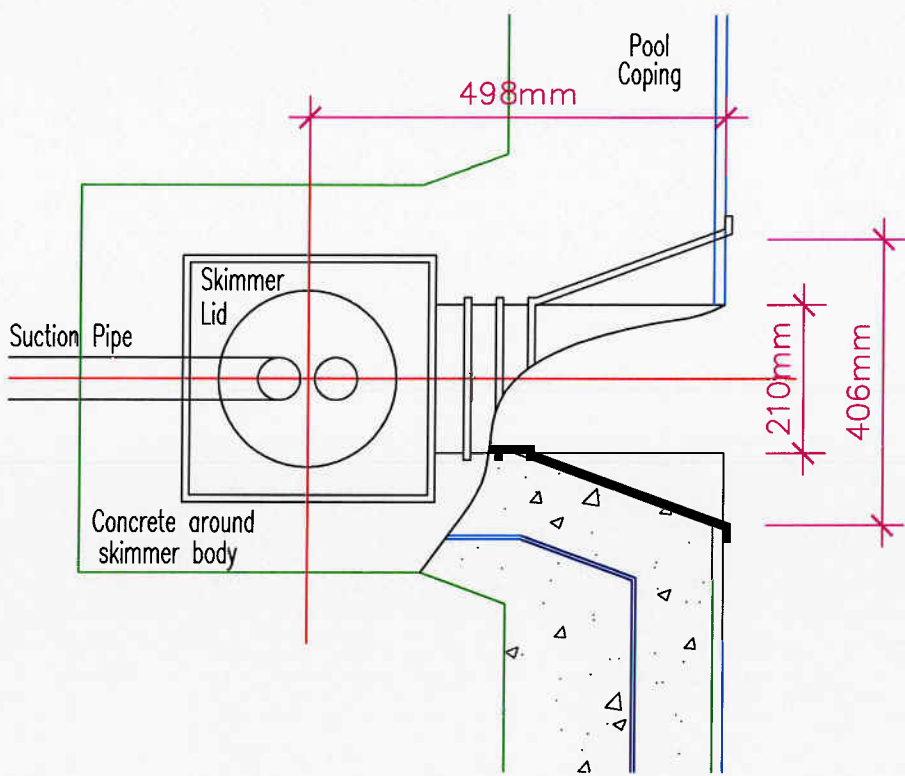
# Underwater Light Fitting Installation Details

DRAWING NO.

STD03

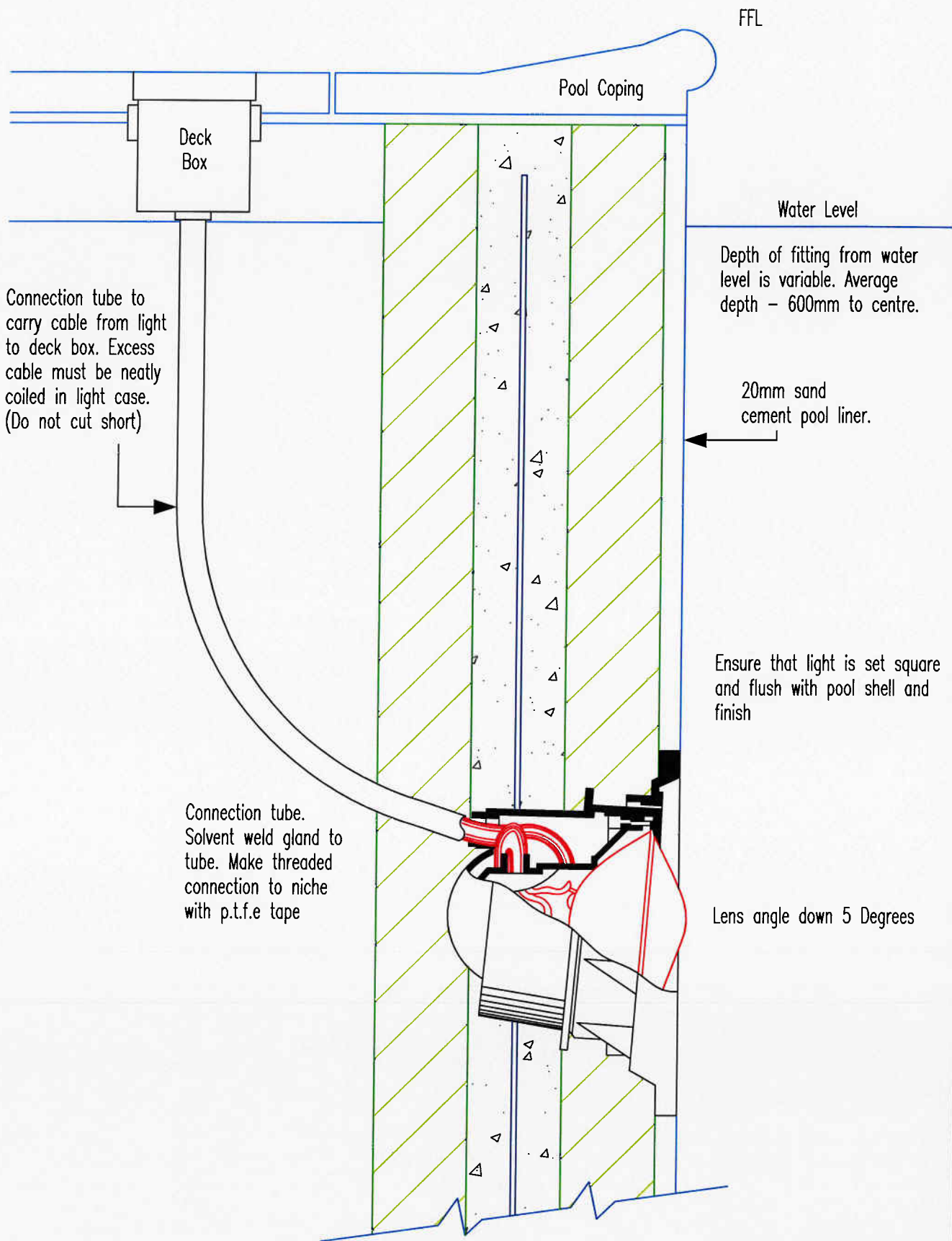


Ensure that skimmer is set square and level. Slurry and concrete must be prevented from entering skimmer



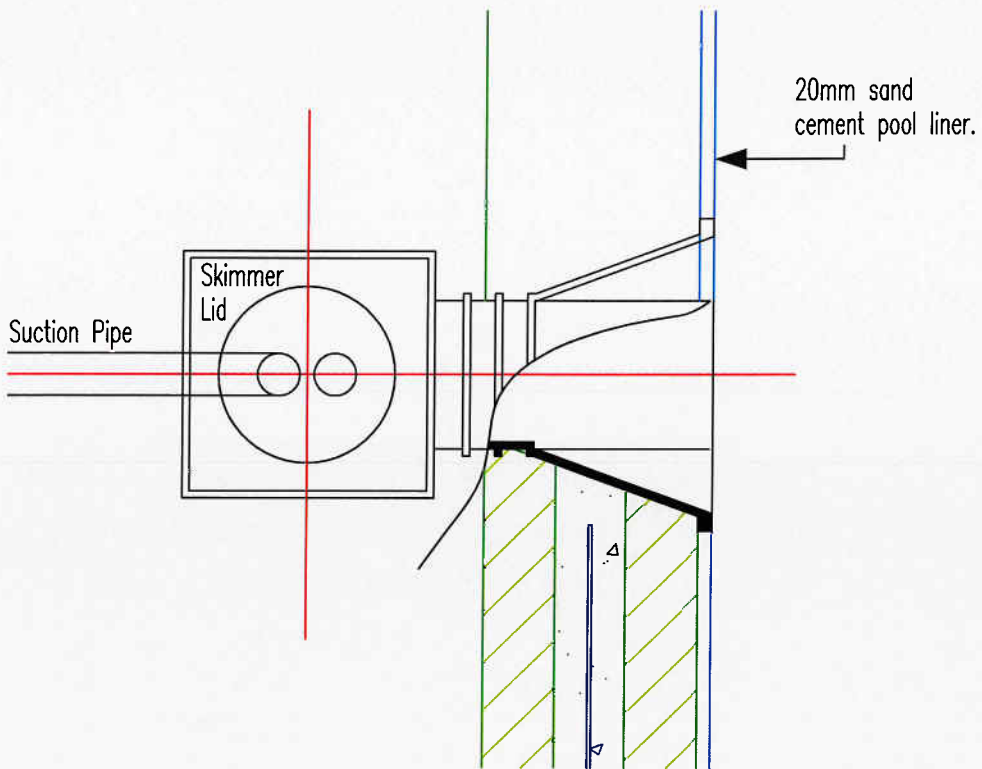
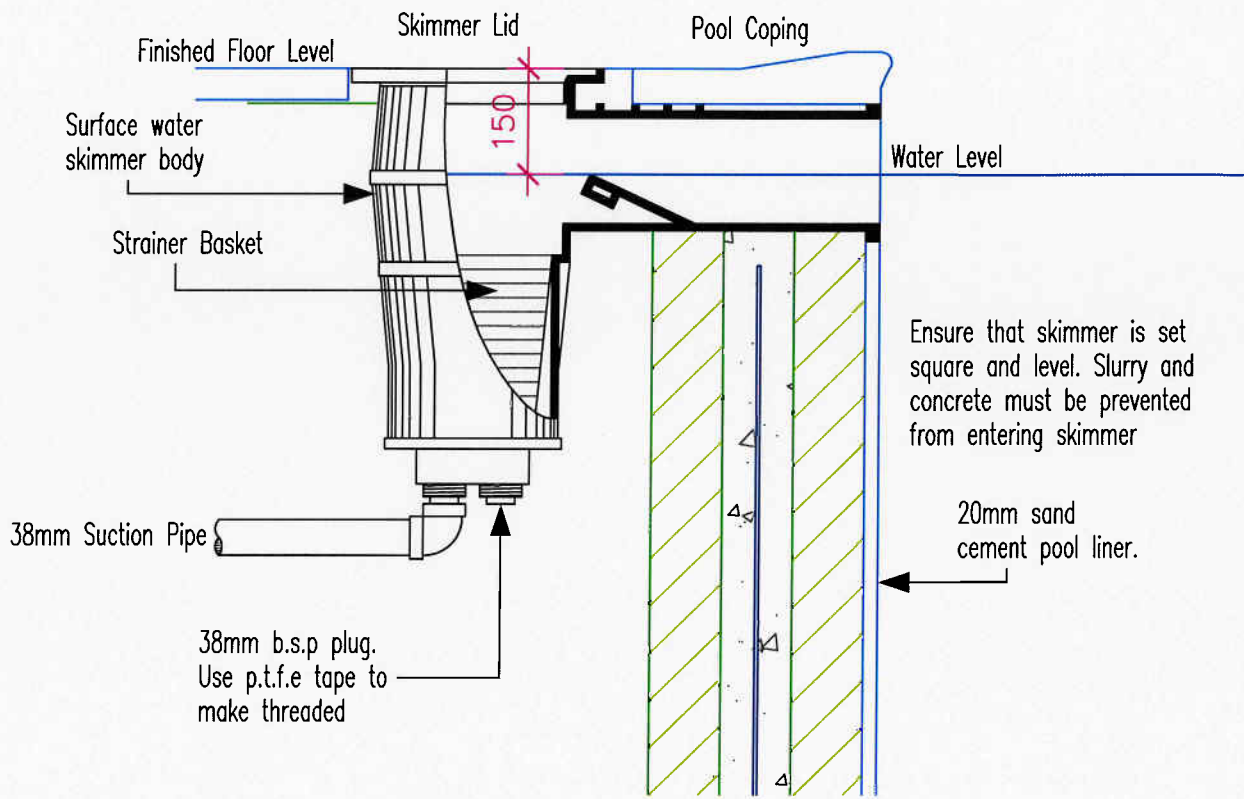
# Surface Water Skimmer Installation Details

DRAWING NO.  
STD04



# Underwater Light Fitting Installation Details

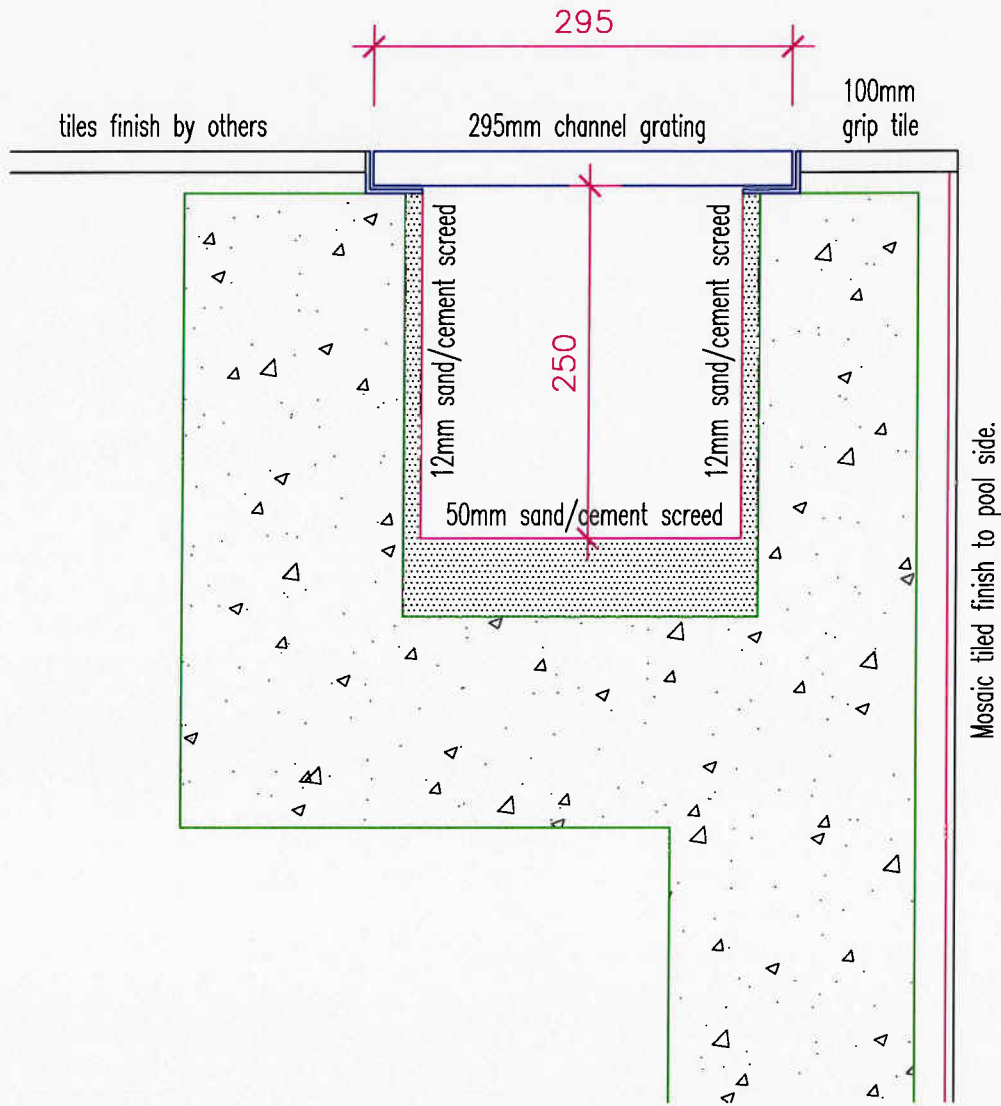
DRAWING NO.  
STD06



## Surface Water Skimmer Installation Details

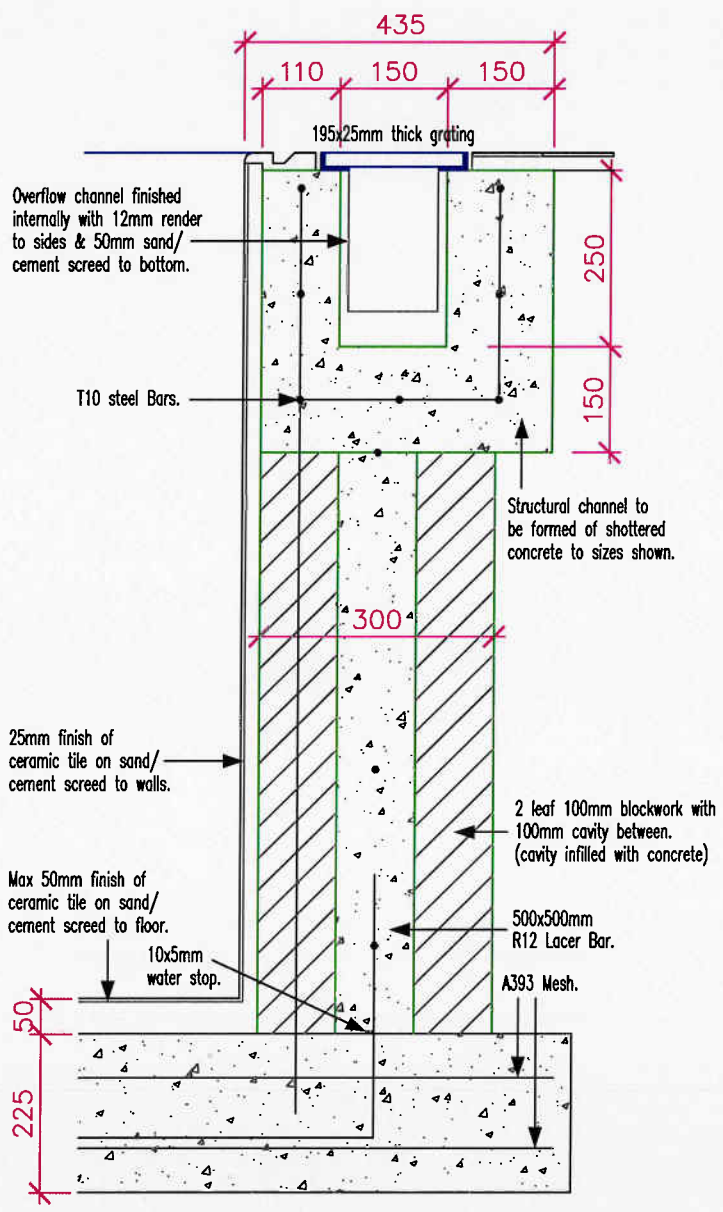
DRAWING NO.

STD07



# Deck Level Channel Detail

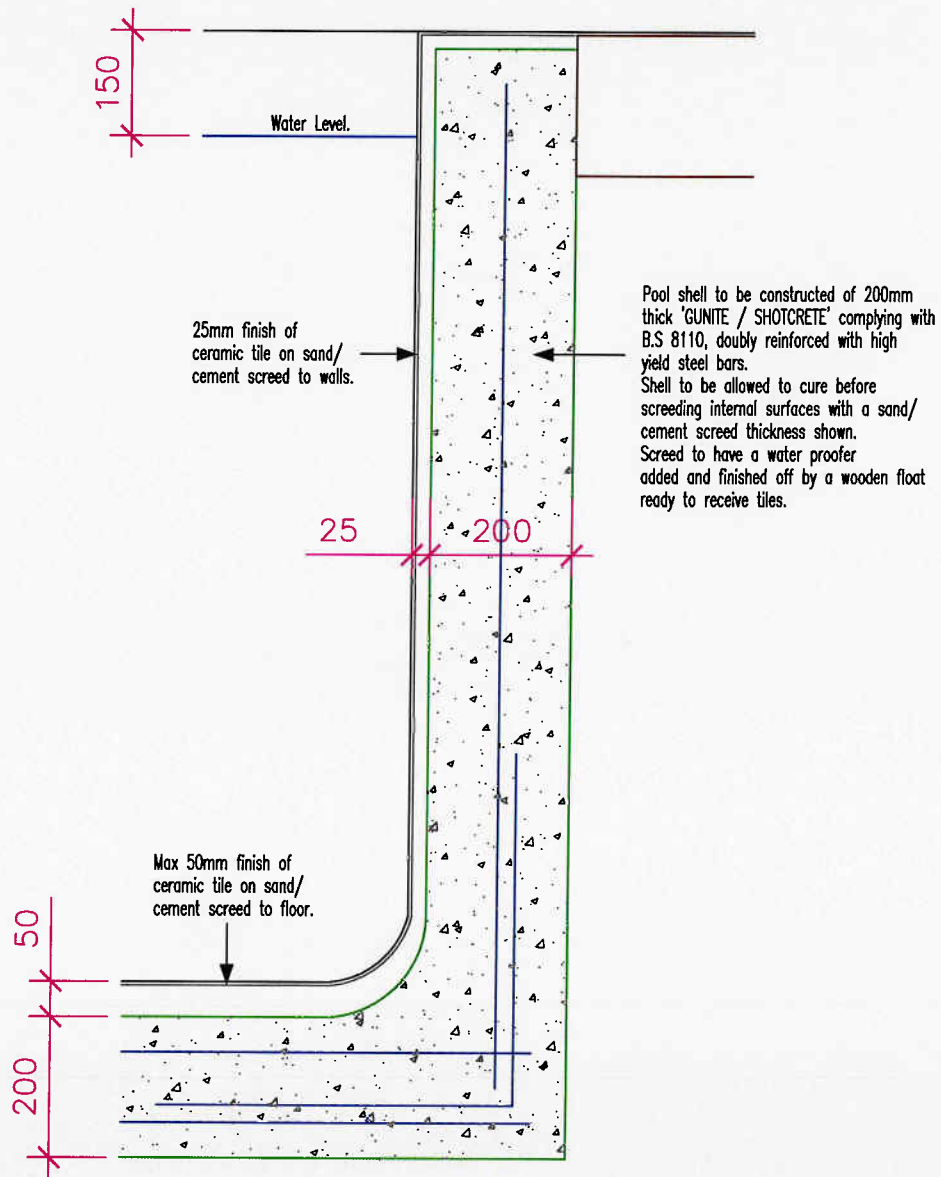
DRAWING NO.  
 STD08



CHANNEL DETAIL.  
 100 Block / 100 Cavity / 100 Block

DRAWING NO.  
 STD09

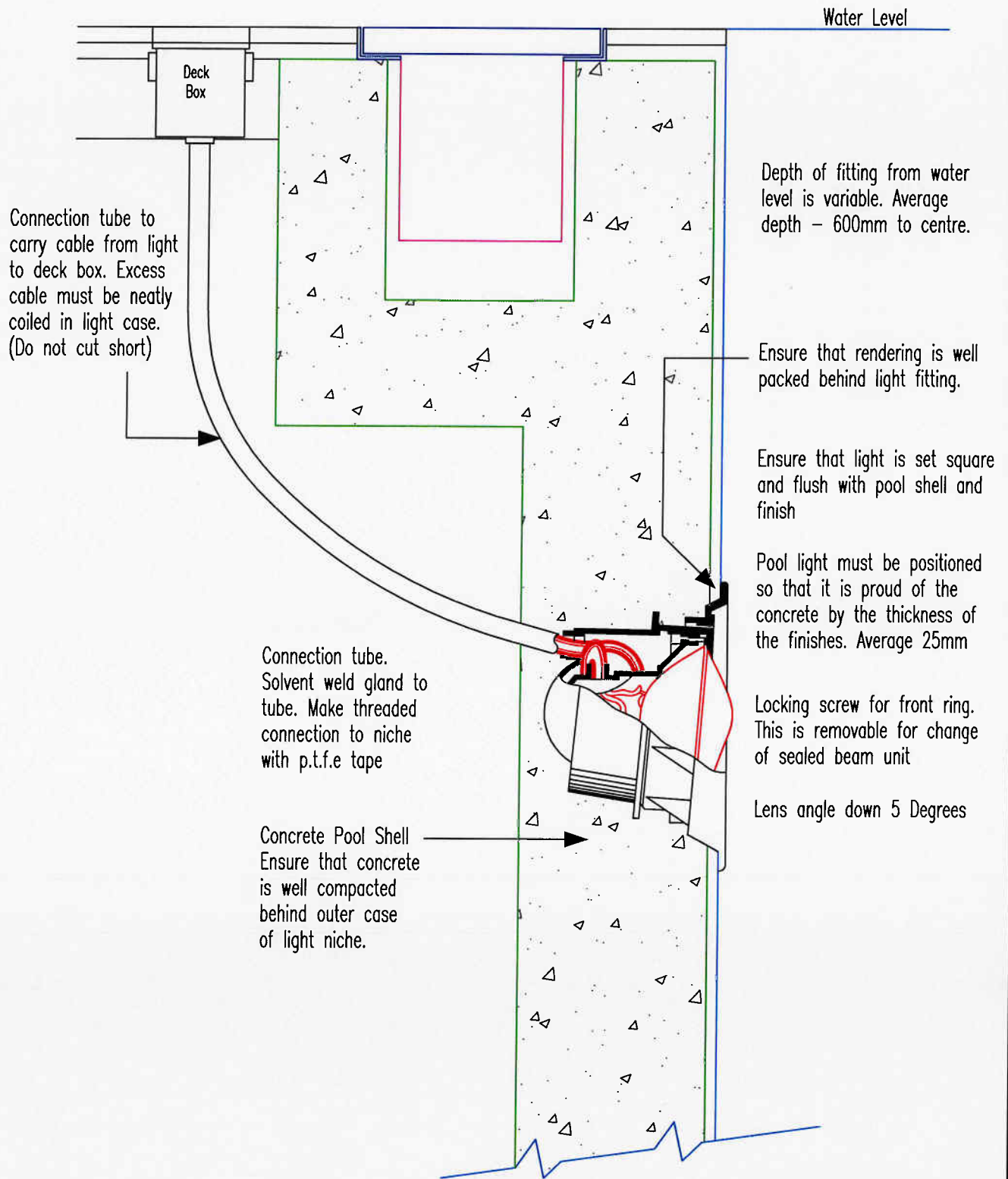




SECTION DETAIL  
200mm 'GUNITE / SHOTCRETE'

DRAWING NO.

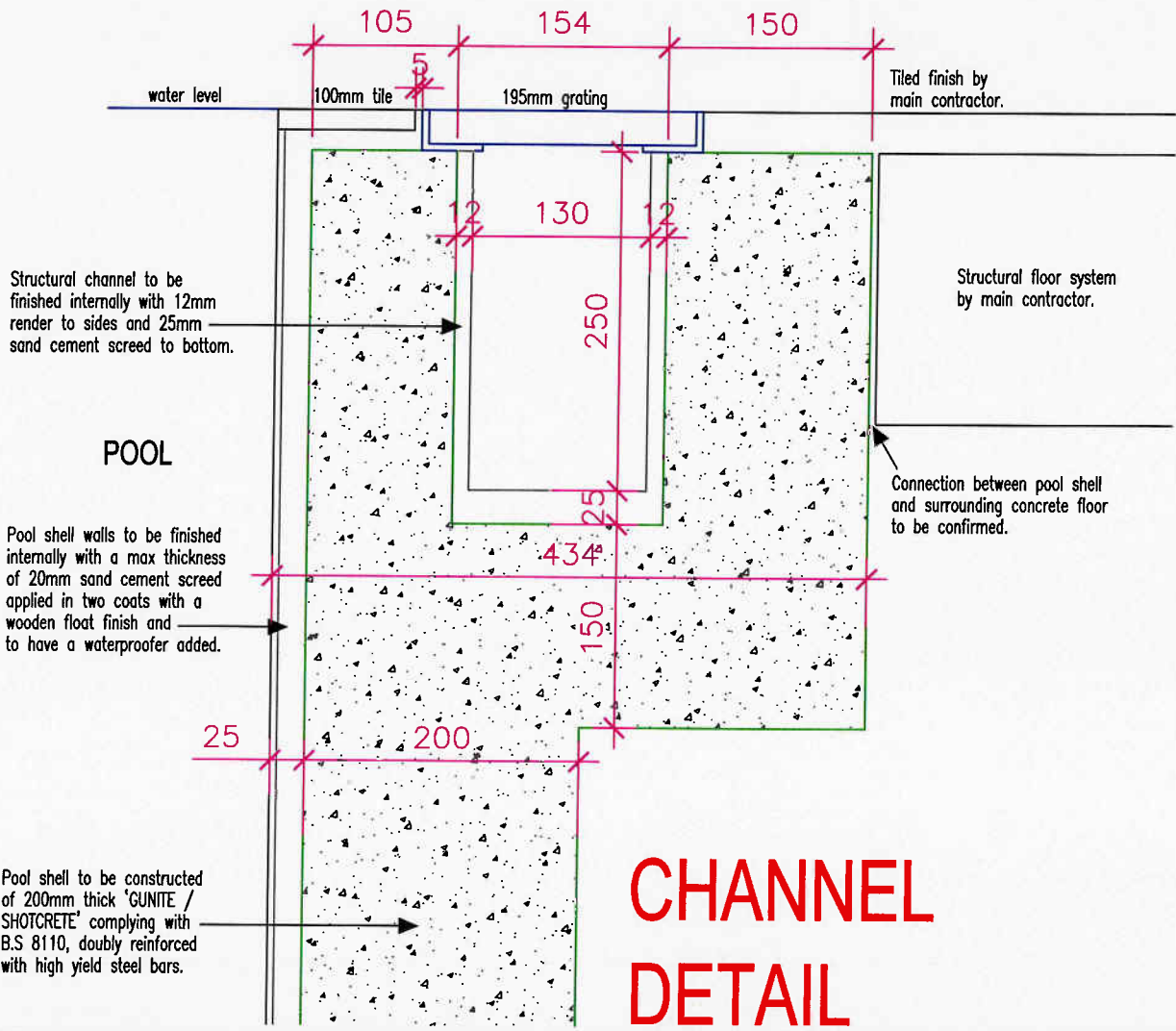
STD10



# Underwater Light Fitting Installation Details

DRAWING NO.

STD11



Structural channel to be finished internally with 12mm render to sides and 25mm sand cement screed to bottom.

Pool shell walls to be finished internally with a max thickness of 20mm sand cement screed applied in two coats with a wooden float finish and to have a waterproofer added.

Pool shell to be constructed of 200mm thick 'GUNITE / SHOTCRETE' complying with B.S 8110, doubly reinforced with high yield steel bars.

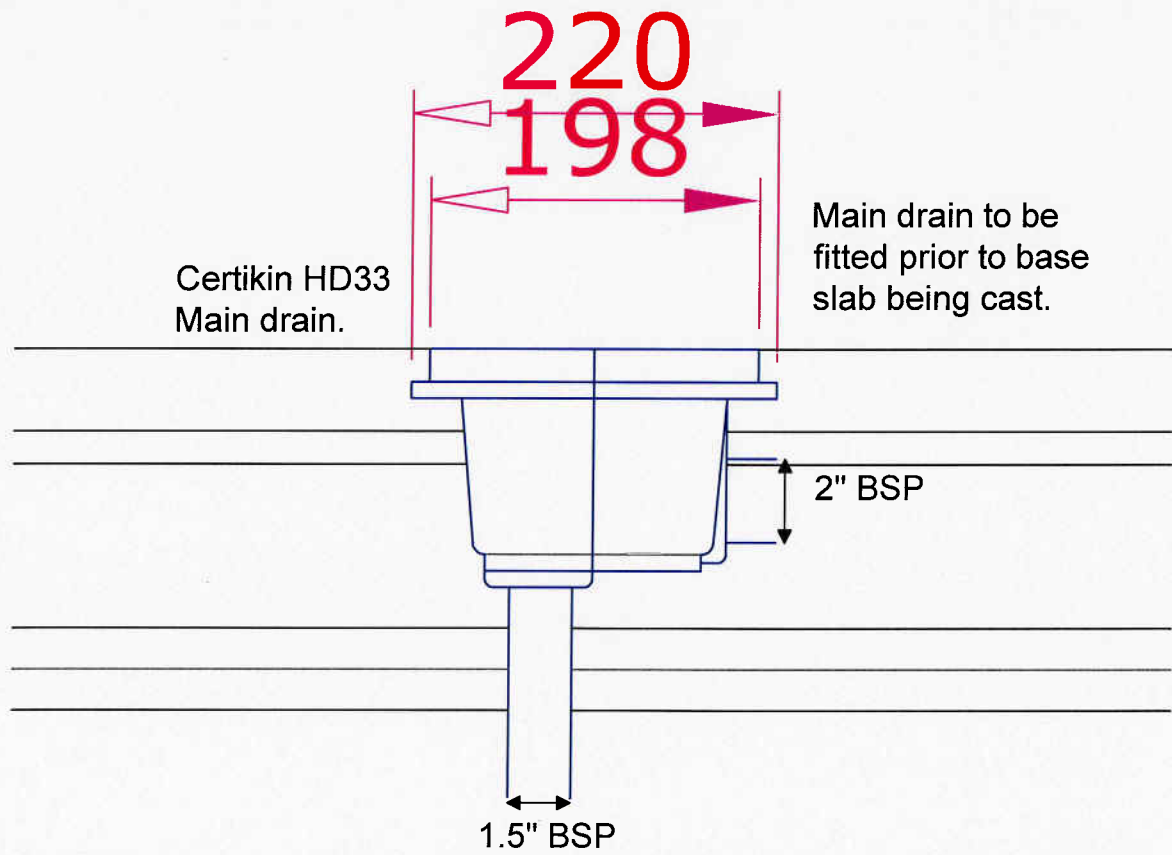
Structural floor system by main contractor.

Connection between pool shell and surrounding concrete floor to be confirmed.

# CHANNEL DETAIL

Deck Level Channel Detail

DRAWING NO.  
STD12



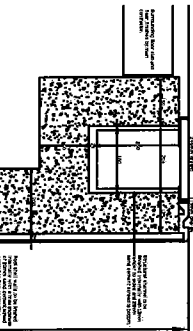
# Pool Sump Detail

STD15

# Typical Pool Section

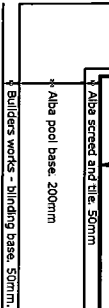
Typical Overflow Section

Water level



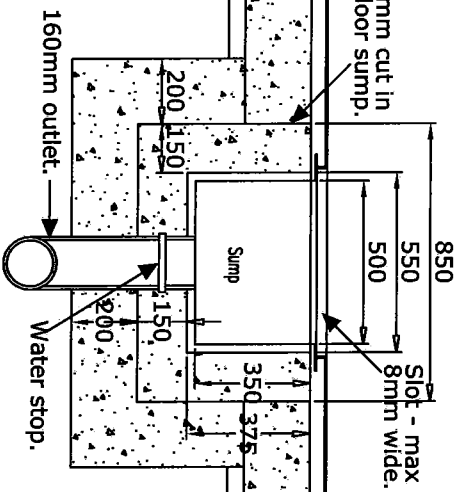
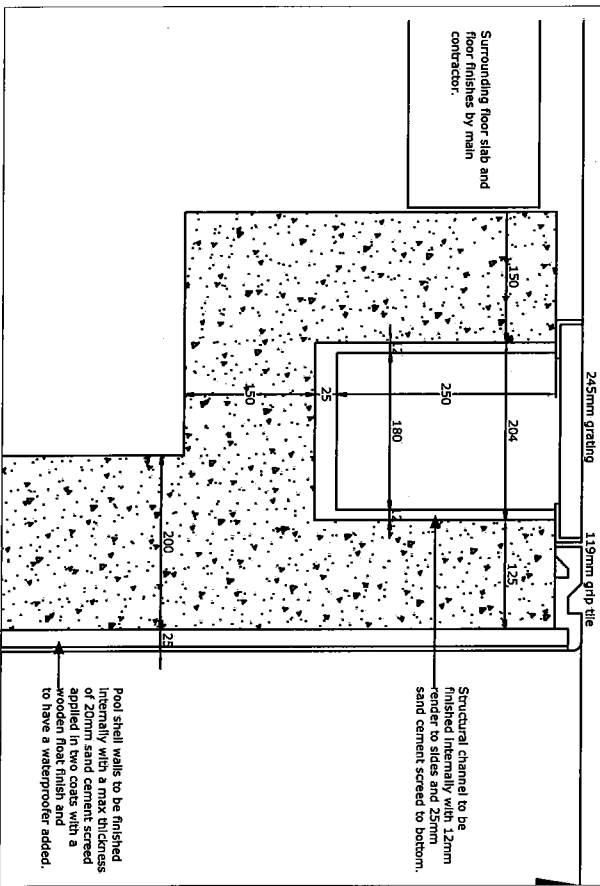
**Specification.**  
 Pool shell walls to be finished internally with a maximum thickness of 20mm sand cement screed applied in two coats with a wooden float finish and to have a waterproofer added.  
 Pool shell floor to be finished internally with a maximum thickness of 50mm sand cement screed applied in two coats with a wooden float finish and to have a waterproofer added.

**Note:** All wall fittings to be positioned so that they are proud of the concrete by the thickness of the finishes. Average 25mm.



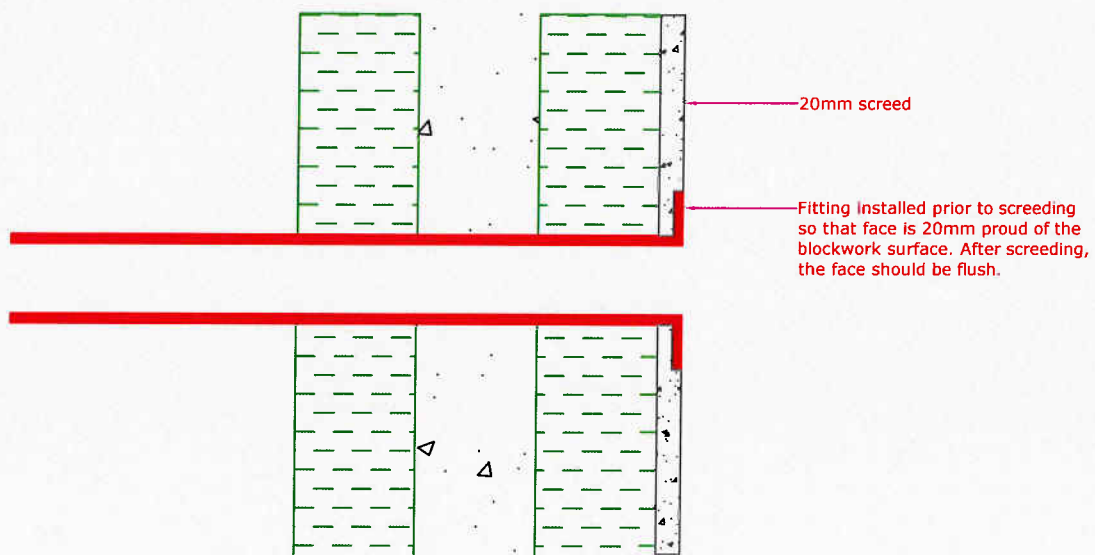
**Note:** Excavation and bottoming out to be carried out by the Main Contractor under the supervision of Alba Pools.

# Typical Overflow Section



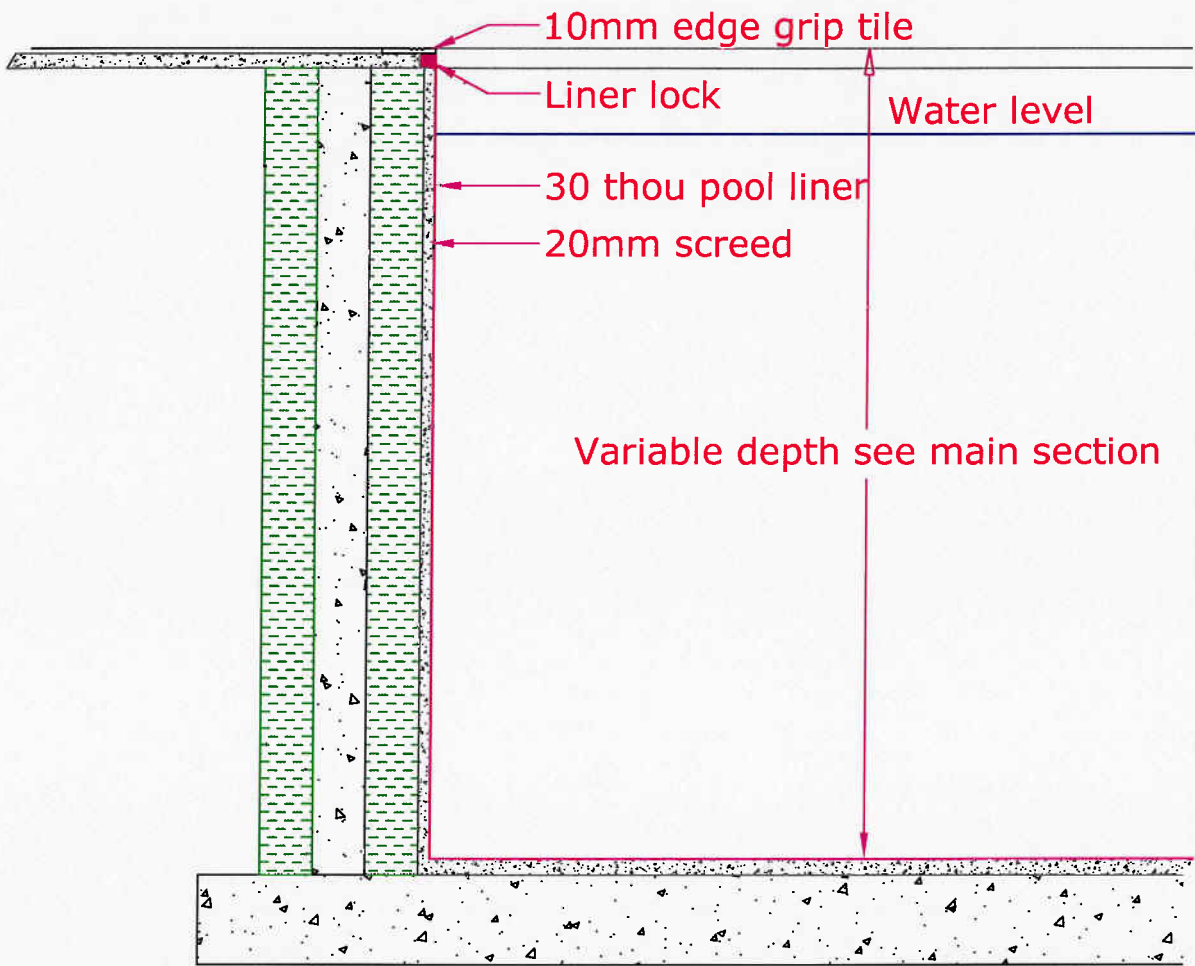
# Typical Sump Section. Location as plan.

Project		GA		Job Number:	
STD 20		A4		May 09	
Standard Detail		NTS		Drawn by:	
Overflow Channel				Drawing number:	
				/ 1	
DO NOT SCALE FROM DRAWING					
© Alba/SP Pools Ltd					



STD16

# Fittings installation detail



STD17